

OPH 1004

Portable Terminal



The OPH 1004 is a very reliable, elegant and rugged portable terminal. The terminal accommodates 16 MB data memory for data storage during regular inventories.

Product Features

Data Collection Device

The high performance laser scanner provides a fast and accurate scan and is immediately ready for the next scan even when the barcodes are printed with low contrast or high density. The terminal transmits the data via IrDA (batch method), normally through the designated cradle that is developed for this product that acts as charging and communication device in the process of a proved and reliable data collection technology.

Designed for Versatile Environments

The housing of the OPH 1004 is sealed to IP54 standards holding up well in environments where water and dust resistance is required. The scanner withstands multiple drops up to 1.5 meters (5 feet) onto concrete and the elegant design with soft grip provides the user comfort when handling this lightweight scanner.

Cabled

Wireless

Stationary

OEM

OPTICON
always scanning for new ID's

Specifications

OPH 1004 Portable Terminal

Electrical specifications

Main battery pack: Lithium-Ion rechargeable (Opticon item)
Backup battery: Lithium (CR 2032)
Charging method: Recharging Lithium-Ion pack in terminal via cradle

Optical specifications

Light source: 650 nm visible laser diode
Scan method: vibrating mirror
Scan rate: 100 scans/sec
Decode rate: 100 decodes/sec
Reading pitch angle: -35 to 0°, 0 to +35°
Reading skew angle: -50 to -8°, +8 to +50°
Reading tilt angle: -20° to 0°, 0 to +20°
Curvature: R>15 mm (EAN8), R>20 mm (EAN13)
Min. PCS value: 0.45
Depth of field: at PCS 0.9, Code 39
70 - 450 mm / 2.76 - 17.72 in (res. 1.0 mm / 39 mil),
50 - 320 mm / 1.97 - 12.60 in (res. 0.5 mm / 20 mil),
50 - 200 mm / 1.97 - 7.87 in (res. 0.25 mm / 10 mil),
55 - 120 mm / 2.17 - 4.72 in (res. 0.15 mm / 6 mil)

Identification

Supported barcode symbologies (1D): JAN/UPC/EAN (WPC) incl. add on, Chinese Post, Codabar/NW-7, Code 11, Code 39, Code 93, Code 128, IATA, Industrial 2of5, Interleaved 2of5, ISBN-ISMN-ISSN, Korean Postal Authority code, Matrix 2of5, MSI/Plessey-UK/Plessey, RSS, S-Code, Telepen, Tri-Optic, Composite codes
Supported 2D code symbologies: MicroPDF417, PDF417

Functionality

Memory FlashROM: 4 MB
Memory RAM: 16 MB RAM
Microprocessor: ARM7, 32-bit
Real time clock: Quartz RTC, time and date programmable, leap year handling, (accuracy +/- 60 sec./month)
Display: 128 X 128 Pixels graphic LCD with adjustable backlight
Character fonts: min. 10 characters x 5 lines, max. 21 characters x 21 lines, font size 6x6 / 6x12 / 8x8 / 8x16 / 12x24
Indicators: Dual-color scanning indication (red/green), buzzer
Keyboard: 23 keys total (12 keys alphanumeric keypad, 4 function keys, 2 navigation buttons, 1 power button, 3 control keys, 2 quick keys, 1 scan button)
Operating System: proprietary
Programming: C-language (free downloadable software development kit)

Environmental specifications

Temperature in operation: -10 to 50 °C / 14 to 122 °F
Temperature in storage: -10 to 60 °C / 14 to 140 °F
Ambient fluorescent light rejection: 4,000 lx max.
Ambient white light rejection: 4,000 lx max.
Ambient direct sun light rejection: 80,000 lx max.
Shock drop test: 1.5 m / 5 ft drop onto concrete surface
Protection (dust and moisture, IEC529): IP 54

Physical specifications

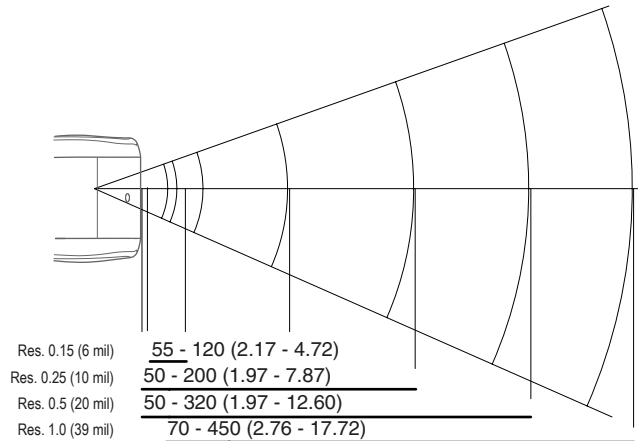
Dimensions: 136 x 55 x 23 mm / 5.35 x 2.17 x 0.91 in
Weight body: Ca. 140 g / 4.9 oz

Regulatory

Laser safety class: JIS-C-6802 Class 2, IEC 60825-1 Class 2, FDA CDRH Class II
Product compliance: CE, FCC, VCCI, RoHS

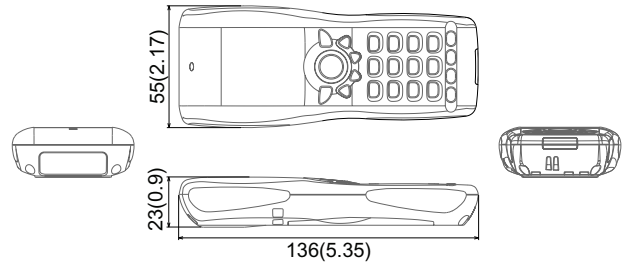
Depth of field

unit: mm (in)



Dimensions

unit: mm (in)



Enclosed items

Battery, Hand strap

Accessories

Sold separately
Cradle: CRD 1001 Serial connection, CRD 1002 Modem connection, CRD 1003 GSM connection